

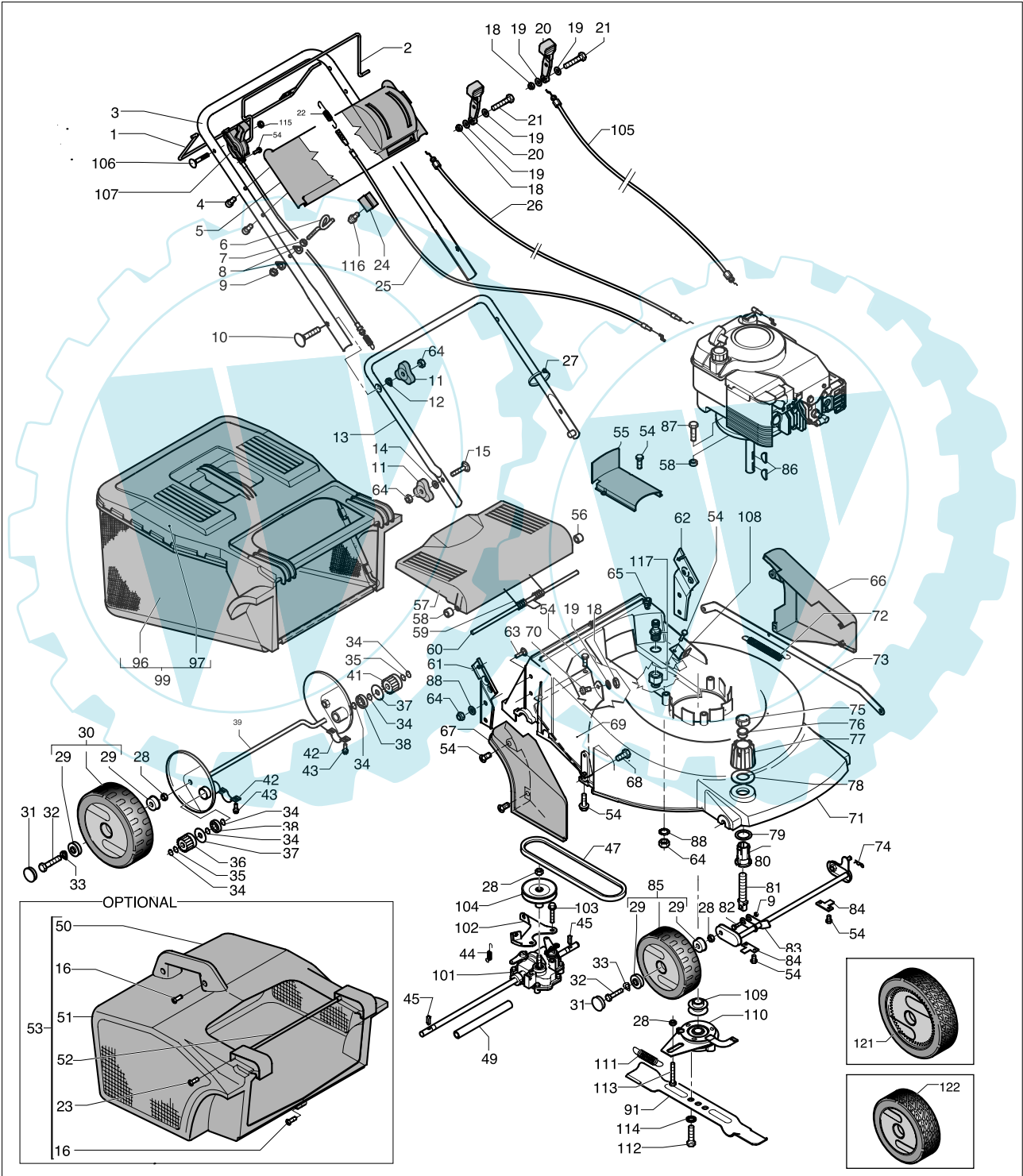
brand	MEP
-------	------------

date	JAN/02	SHEET 1/3
------	--------	-----------

Model

MP - ER 550 S3 BBC

Product number



The Electrolux Group. The world's No.1 choice.

Ihr Ersatzteilspezialist im Internet

brand	MEP
-------	------------

date	JAN/02	SHEET 2/3
------	--------	-----------

MP - ER 550 S3 BBC

Pos.	PN ELX	PN MEP	DESCRIZIONE	DESCRIPTION	DESCRIPTION	Q.ty	NOTE
1	531205789	10140763	maniglia frizione	clutch lever	manette d'embrayage	1	
2	531205788	10140753	maniglia freno	lever	manette	1	
3	531205790	10140773	manico superiore	upper handle	guidon superieur	1	
4	531208844	20734900	vite	screw	vis	4	TCTC 4,3x16 FIX ZB
5	531205781	10140680	plancia comandi	dash-board	planche	1	ER
5	531205782	10140682	plancia comandi	dash-board	planche	1	MP
6	531205169	10121470	gancio	cable hook	crochet	1	
7	531207165	10501200	dado	nut	ecrou	1	M6 H6 UNI 5587-6S-ZB
8	531204961	10115900	rondella ondulata	washer	rondelle	2	6,5E
9	531208491	20281800	dado	nut	ecrou	2	M6H8UNI7473ZB
10	531207089	10402401	vite	screw	vis	2	TTSQM8x50TFZB
11	531204923	10114303	pomolo	knob	poignée	4	
12	531207090	10402402	rondella ondulata	washer	rondelle	2	8,5
13	531205711	10140053	manico inferiore	handle lowere	guidon inferieur	1	
14	531204922	10114200	rondella piana	washer	rondelle	2	8x16x1,5 ZB
15	531204921	10114100	vite	screw	vis	2	TTSQ M8x25 T.FIL.ZB
16	531208216	20135720	vite	screw	vis	3	TCTC2FD.x16 AC
18	531208492	20282100	dado	nut	ecrou	3	M5H7UNI7473ZB
19	531206666	10284700	rondella piana	washer	rondelle	5	5/15/1,5 ZB
20	531205139	10121263	leva acceleratore	lever	levier	2	
21	531207836	10830000	vite	screw	vis	2	TE M5x25 UNI 5739-8,8-ZB
22	531205596	10135710	molla frizione	spring	ressort	1	
23	531207937	10878000	vite	screw	vis	2	TCTC 3,9x16
24	531208043	20121683	supporto	bearing	support	1	
25	531205777	10140610	cavo frizione	clutch cable	cable d'embrayage	1	
26	531207754	10800400	cavo acceleratore	accelerator cable	cable accellerateur	1	mm 1385/80 B&S
27	531205581	10135600	fascetta	clamp	colier	2	
28	531207978	20101700	dado	nut	ecrou	7	M10 H8 UNI 5588-6S ZB
29	531205214	10121900	cuscinetto ruota	ball-bearing	roulement	8	
30	531204461	09135294	ruota posteriore	posterior wheel	roue posterieur	2	D210/26 TAC
31	531204936	10114804	tappo ruota	plug	bouchon	4	
32	531205042	10120090	vite	screw	vis	4	
33	531206644	10275100	rosetta	washer	rondelle	4	UNI 8840- B12(13/24/0,8)
34	531208772	20655800	seeger	seeger	seeger	6	D.12E DIN 471
35	531208859	20761300	rondella temp.	washer	rondelle	2	D.12,4x17x0,3
36	531205859	10141390	pignone	pinion	pignon	1	DX
37	531207847	10831200	rondella piana	washer	rondelle	2	D.12/34/0,7 ZB
38	531208778	20657600	cuscinetto	ball-bearing	roulement	2	D.12/28/8 6001/2RS
39	531205705	10140023	assale posteriore	rear axle	assieu arriere	1	
41	531205860	10141400	pignone	pinion	pignon	1	SX
42	531206652	10281200	supporto superiore	bearing	support	2	
43	531207385	10602800	vite	screw	vis	4	TEFR 5x12
44	531205216	10121920	molla	spring	ressort	1	
45	531205786	10140710	chiavetta	key	clavette	2	4,76X18,5
47	531206701	10294900	cinghia	belt	courroie	1	Z 32 (10x815) 3L330
49	531207697	10766503	tubetto distanziale	spacer tube	toyau entretoise	1	
50	531208207	20135323	cestello sinistro	left side grass catcher	bac côte gauche	1	
51	531208203	20135313	cestello destro	right side grass catcher	bac côte droit	1	
52	531205547	10135330	tirante	tie rod	entretoise	1	D.8 x 330
53	531205545	10135303	cestello completo	grass catcher	bac complet	1	
54	531207856	10831800	vite	screw	vis	18	TEFR 5x10
55	531205772	10140543	carter cinghia	belt housing	carter de courroie	1	
56	531205733	10140223	distanziale	spacer	entretoise	1	H.15
57	531205485	10135071	paratoia	deflector	deflecteur	1	MP
57	531205486	10135072	paratoia	deflector	deflecteur	1	ER
58	531205732	10140213	distanziale	spacer	entretoise	4	H.5



brand	MEP
-------	------------

date	JAN/02	SHEET 3/3
------	--------	-----------

MP - ER 550 S3 BBC

Pos.	PN ELX	PN MEP	DESCRIZIONE	DESCRIPTION	DESCRIPTION	Q.ty	NOTE
59	531206180	10155190	molla paratoia	spring	ressort	1	
60	531205731	10140190	tirante	tie rod	entretoise	1	
61	531205728	10140163	supporto manico	handle bearing	support guidon	1	
62	531205730	10140173	supporto manico	handle bearing	support guidon	1	
63	531205741	10140310	vite	screw	vis	4	TTSQ M8x16TF QUAD.H2,5 ZB M8 H8 UNI 5587-6S ZB
64	531207982	20106300	dado	nut	ecrou	11	
65	531205153	10121353	tappo	plug	bouchon		
66	531205747	10140333	copri ruota	housing	carter	1	SX
67	531205743	10140323	copri ruota	housing	carter	1	DX
68	531205740	10140290	vite	screw	vis	4	TTTCFR D4x12 2F
69	531205734	10140250	convogliatore	deflector	deflecteur	1	
70	531207838	10830300	vite	screw	vis	1	E M5x16 UNI 5739-8,8-ZB
71	531205808	10140921	scocca	deck	chassis	1	MP
71	531205809	10140922	scocca	deck	chassis	1	ER
72	531205715	10140090	molla asta	spring	ressort	1	
73	531205736	10140263	asta	rod	tige	1	
74	531206653	10281400	copiglia	cotter pin	goupille	2	1,8 x 33
75	531205720	10140113	tappo	plug	bouchon	1	
76	531205726	10140147	distanziale	spacer	entretoise	1	
77	531205717	10140103	manopola	knob	poignée	1	
78	531205738	10140270	rondella	washer	rondelle	1	D.38,5x73x1
79	531205739	10140280	rondella	washer	rondelle	1	D.38,5x50x1
80	531205724	10140137	bussola	bush	douille	1	
81	531205723	10140127	vite	screw	vis	1	
82	531208425	20228705	vite	screw	vis	1	TE M6x35 UNI 5737-8,8-ZB
83	531205706	10140033	assale anteriore	front axle	assieu avant	1	D170/26 TAC
84	531205536	10135270	supporto ass.ant.	support	support	2	
85	531204371	09120084	ruota anteriore	front wheel	roue anterieur	2	
86	531204907	10100900	chiavetta	key	clavette	2	4x6,5 UNI6606 WODRUF
87	531205768	10140420	vite	screw	vis	1	TE M8x90 UNI 5737 1/2F ZB
87	531207107	10407800	vite	screw	vis	2	TE M8x65 UNI 5737-8,8-ZB
88	531207981	20106200	rondella dent.	washer	rondelle	3	D.8E DIN 6798
91	531205796	10140850	lama	blade	lame	1	
96	531208259	20140373	sacco nero	sac	sac	1	
97	531205763	10140393	coper.sacco /telaio	sack frame upper	cadre sac superieur	1	
99	531204522	09140413	sacco completo	grass catcher	sac complete		
101	531207700	10768100	cambio 3V	gear	vitesse	1	
102	531205774	10140570	squadretta cambio	square	equerre	1	
103	531205787	10140720	vite	screw	vis	2	TEFR M8X16
104	531205776	10140600	puleggia riduttore	gear pulley	poulie reducteur	1	
105	531205791	10140800	cavo cambio	cable	cable	1	
106	531207776	10803700	vite	screw	vis	1	6Mx50 TB TF
107	531205792	10140810	cavo freno	cable	cable	1	
108	531205795	10140840	piastra portacavo	plate	plaque	1	
109	531205797	10140860	puleggia	pulley	pouile	1	
110	531205793	10140820	freno lama	brake blade	frein lame	1	
111	531205799	10140880	molla freno lama	spring	ressort	1	
112	531205800	10140890	vite	screw	vis	1	TE M10x45 UNI 5737-8.8 Z.
113	531207176	10501320	vite	screw	vis	1	TE M10x25 UNI 5739-8,8-ZB
114	531208974	30102100	innesto	clutch	embrayage	2	10E
115	531208063	20122790	dado	nut	ecrou	1	M6 FLANGIATO
116	531206677	10289900	vite	screw	vis	1	4,8x19 TCTCFR
117	531205848	10141313	rondella dent.	washer	rondelle	1	D.1/2"
121	531204609	09141294	ruota	wheel	roue	2	D210/26
122	531204607	09141284	ruota	wheel	roue	2	D170/26

